

RGI-14

Servo rotating grippers

DH-ROBOTICS

Gripping force(per jaw)

10~35 N

Opening/closing stroke(both sides)

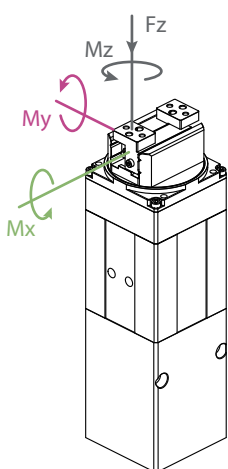
14 mm

Rotation torque

0.25 N·m

Rotation range

Unlimited spin



Allowable vertical load (static)

Fz: 150 N

Allowable vertical load (static)

Mx: 2 N·m

My: 1.5 N·m

Mz: 2.5 N·m

Mechanical specifications

Maximum recommended load*	0.7 kg
Maximum rotation speed	1500 deg/s
Rotation repeatability	± 0.02 deg
Position repeatability (both sides)	± 0.02 mm
Opening/closing time	0.3 s/ 0.3 s
Weight	1.0 kg

Electrical specifications

Communication interface	Standard: Modbus RTU (RS485), Digital I/O Optional: TCP/IP, USB2.0, CAN2.0A, PROFINET, EtherCAT
-------------------------	--

Nominal voltage	24 V DC ± 10%
-----------------	---------------

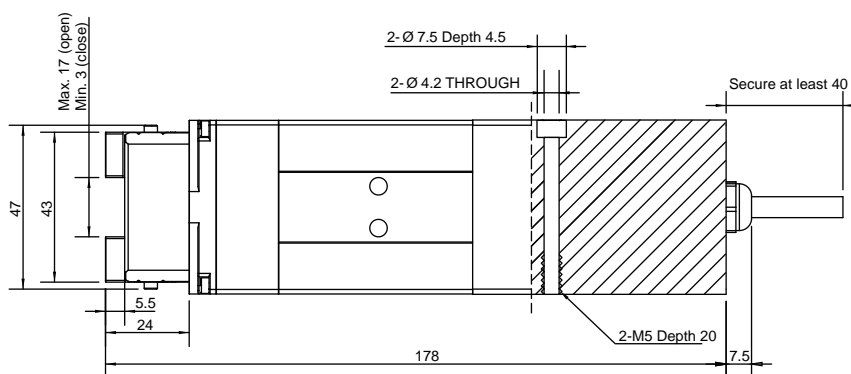
Nominal current	1.1 A
-----------------	-------

Peak current	2 A
--------------	-----

Ingress protection rating	IP 20
---------------------------	-------

Recommended operating environment 0~40°C, 85% RH under environmen

*It depends on the shape of the grasping object, the material and friction of the contact surface, and the acceleration of the motion, if you have any questions, please consult us.



A-A Section

