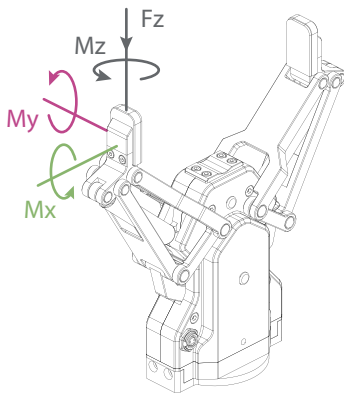


AG-145

Linkage-type adaptive grippers

DH-ROBOTICS



Allowable vertical load (static)

Fz: 300 N

Allowable vertical load (static)

Mx: 1.95 N·m

My: 1.95 N·m

Mz: 1.95 N·m

Gripping force(per jaw)

35~105 N

Opening/closing stroke(both sides)

145 mm

Mechanical specifications

Maximum recommended load** 2 kg

Position repeatability (both sides) ± 0.03 mm

Opening/closing time 0.7 s/0.7 s

Driving method Screw drive +Linkage system

Weight 1.3 kg

Noise emission < 50 dB

Electrical specifications

Communication Standard: Modbus RTU (RS485), Digital I/O interface Optional: TCP/IP, USB2.0, CAN2.0A,PROFINET,EtherCAT

Nominal voltage 24 V DC ± 10%

Nominal current 0.8 A

Peak current 1.5 A

Ingress protection rating IP 54

Recommended operating 0~40°C, 85% RH under environmen

*取决于抓取物体形状、接触面材料与摩擦力以及运动加速度等因素，抓取物体的重心偏移也会影响负载，如有问题请咨询我们。

